



Illustrated Parts List

Model Series

202400

TABLE OF CONTENTS

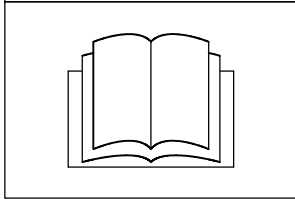
Air Cleaner	6
Alternator	12
Blower Housing/Shrouds	8
Camshaft	2
Carburetor	4, 5
Controls	9
Crankcase Cover	2
Crankshaft	2
Cylinder	2
Cylinder Head	3
Electric Starter	11
Exhaust System	7
Flywheel	8
Fuel Supply	10
Gasket Set - Engine	3
Gasket Set - Valve	3
Gear Reduction	11
Governor Spring	9
Ignition	12
Kit - Carburetor Overhaul	5
Lubrication	2
Operator's Manual	2
Piston/Rings/Connecting Rod	2
Rewind Starter	8
Valves	3
Warning Label	2



PRINTED IN U.S.A.

COPYRIGHT by BRIGGS & STRATTON CORPORATION
All rights reserved. No part of this material may be reproduced or transmitted, in any form or by any means, electronic or mechanical, including photocopying, recording or by any information storage and retrieval system, without permission in writing from Briggs & Stratton Corporation.

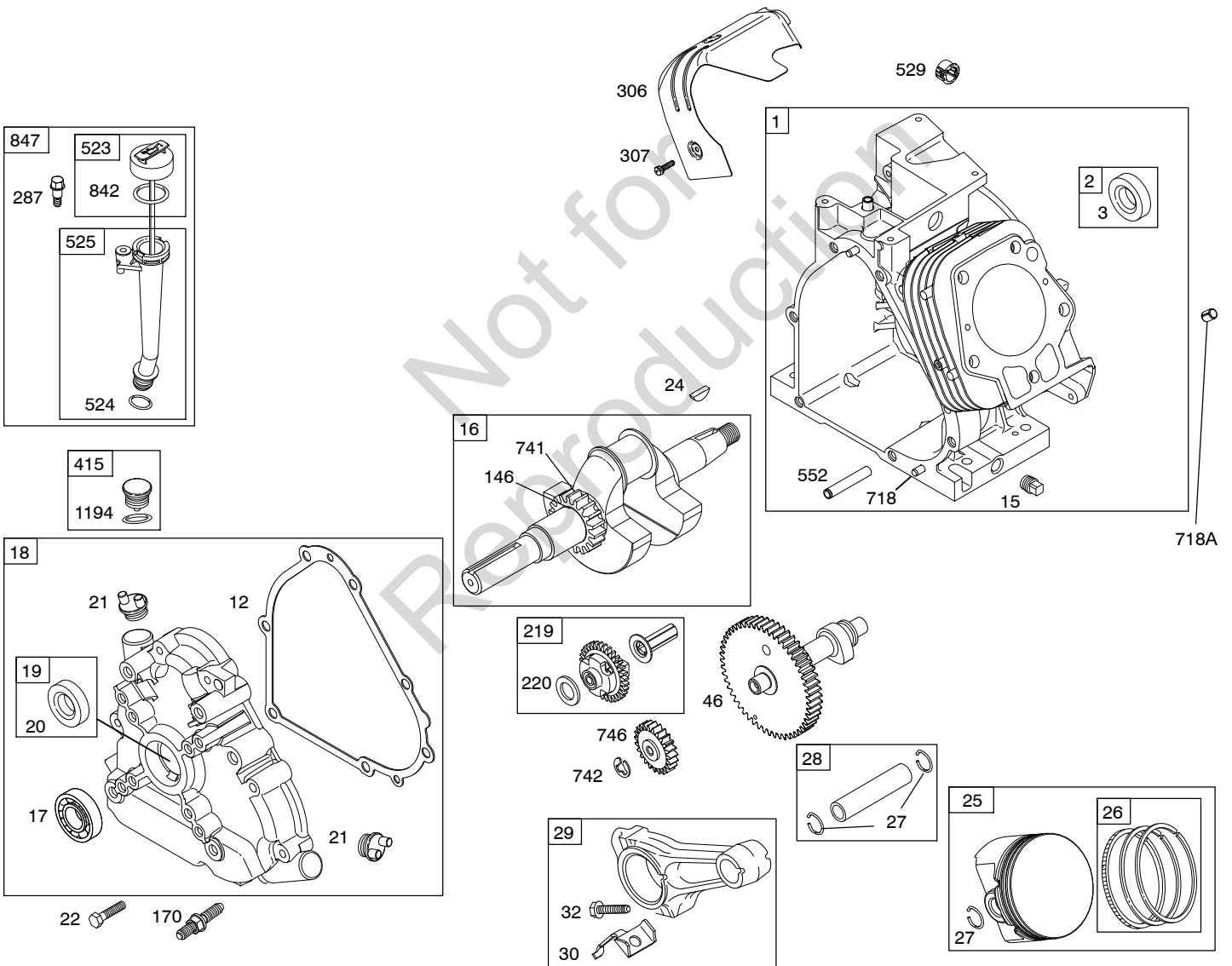
1058 OPERATOR'S MANUAL



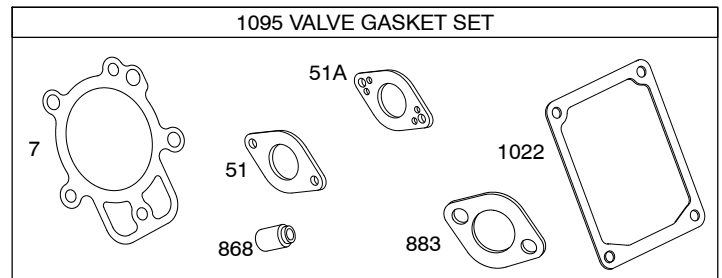
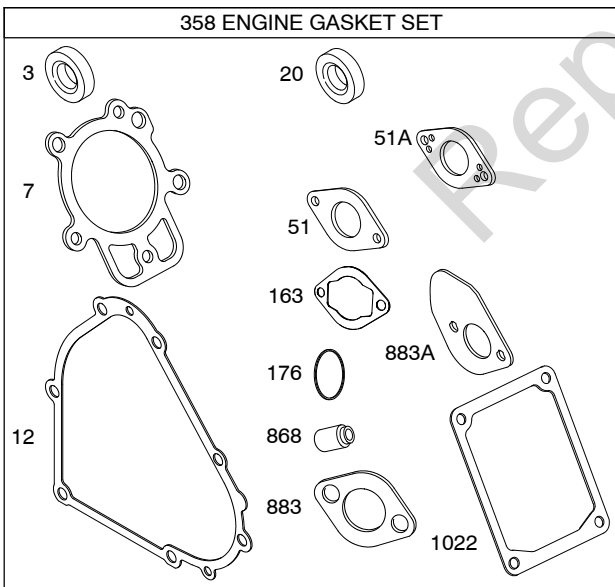
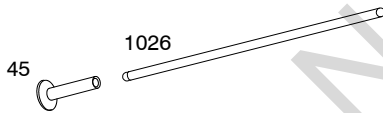
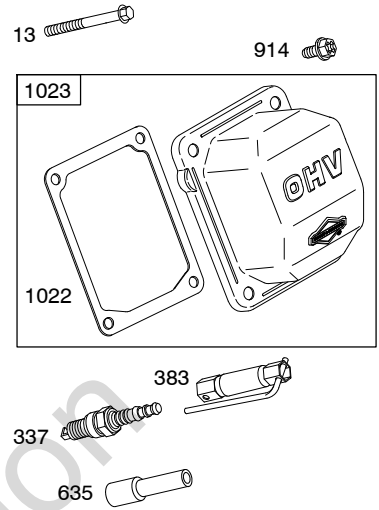
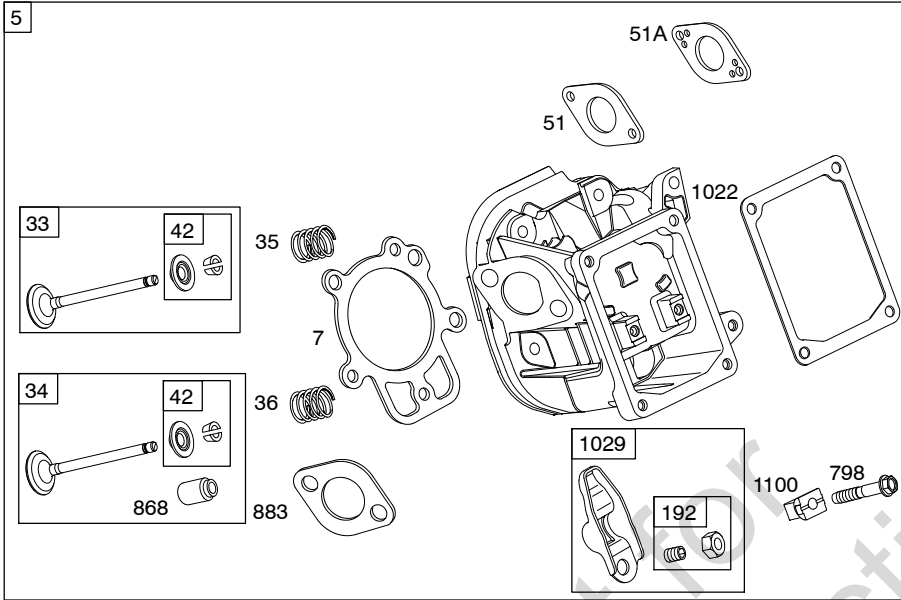
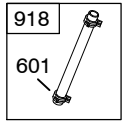
1319 WARNING LABEL

WARNING	
	Read and follow Operating instructions before running engine.
	Gasoline is flammable. Allow engine to cool at least 2 minutes before refueling.
	Engines emit carbon monoxide, DO NOT run in enclosed area.
	Muffler area temperature may exceed 150°F. Do not touch hot parts.

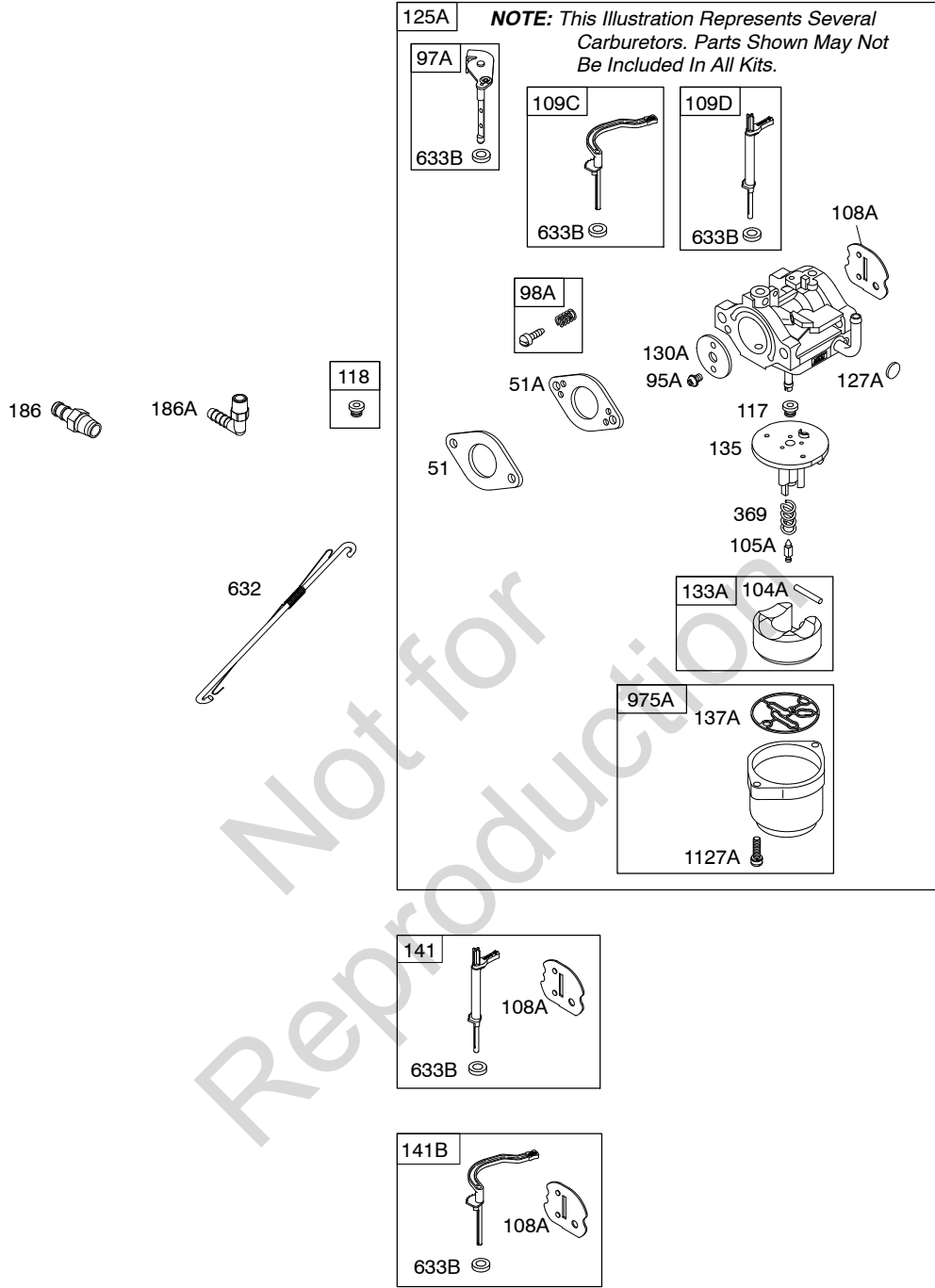
REQUIRED when replacing parts with warning labels affixed.



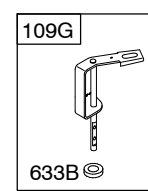
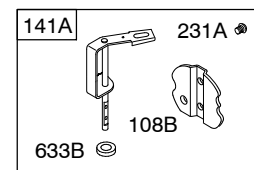
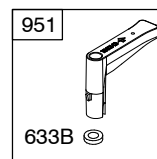
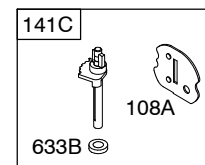
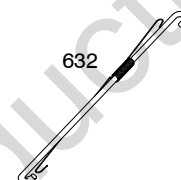
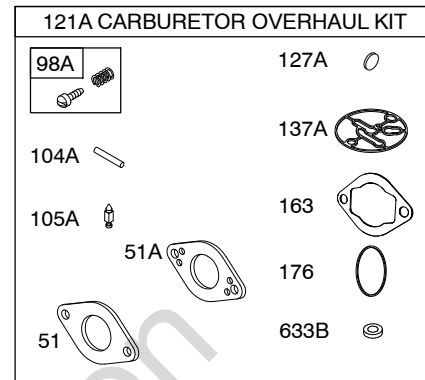
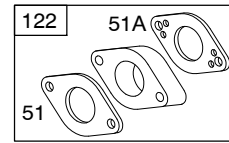
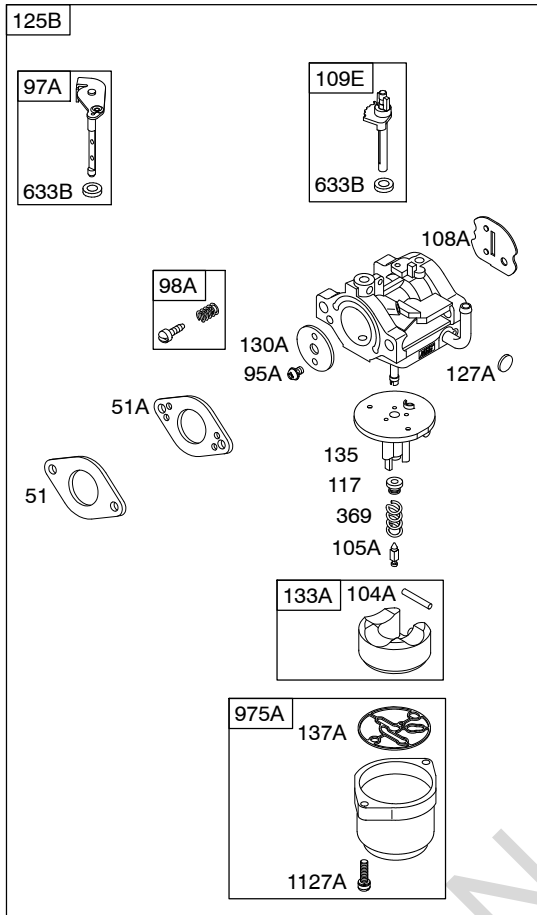
Illustrations cover a range of engines. Parts shown without corresponding text may not be used on your specific engine.
 6591-2 Assemblies include all parts shown in frames. 10/07/2008



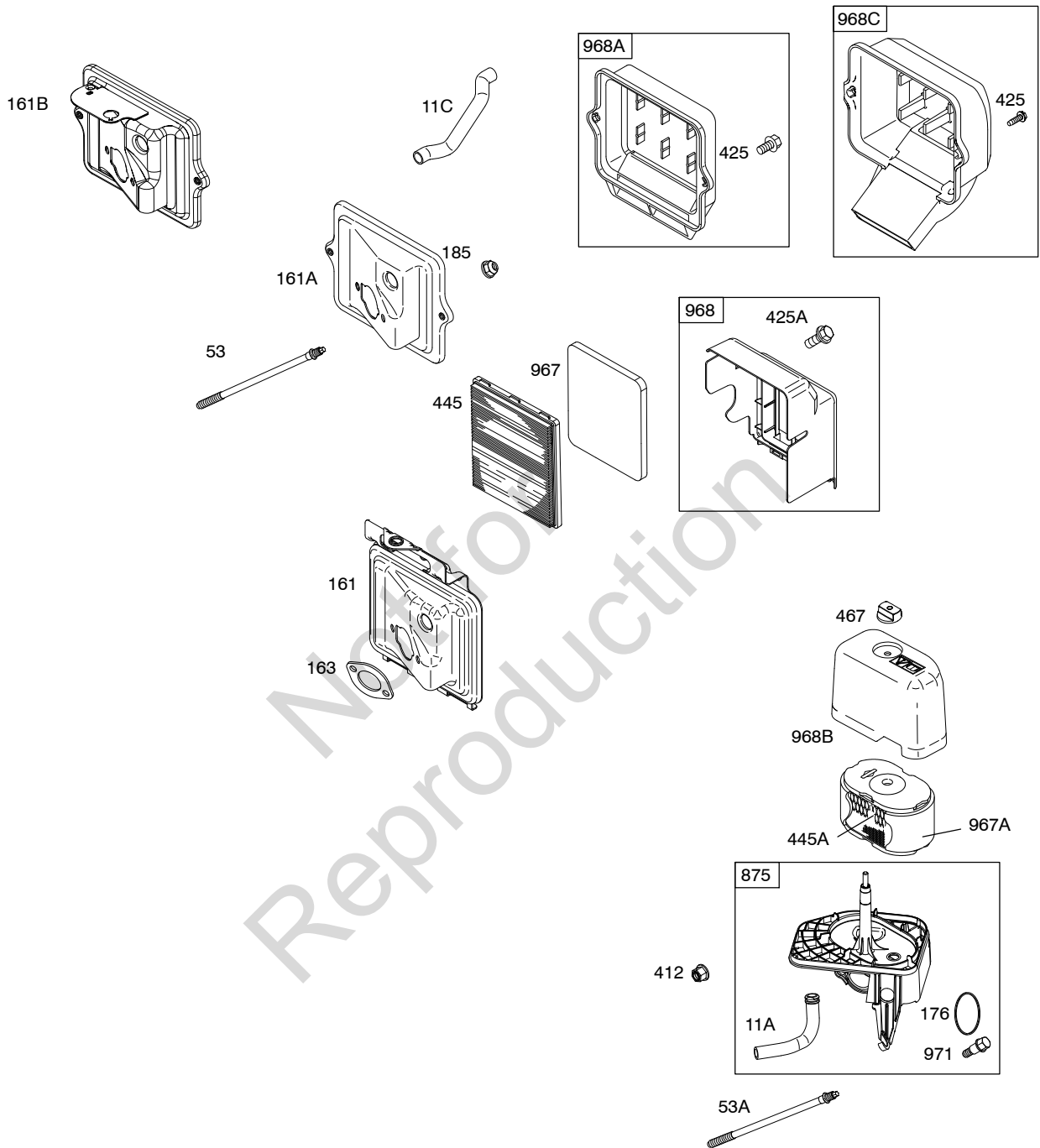
Illustrations cover a range of engines. Parts shown without corresponding text may not be used on your specific engine.
 6591-3 Assemblies include all parts shown in frames. 10/07/2008



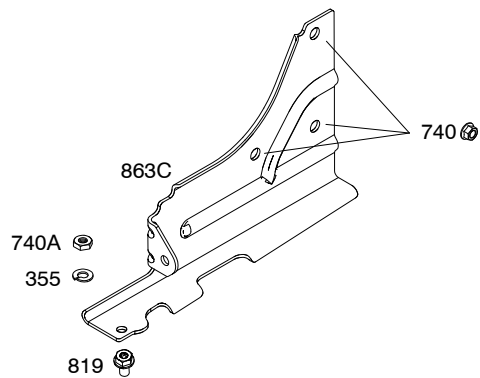
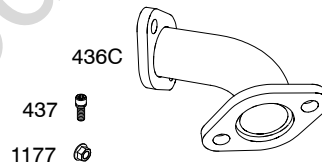
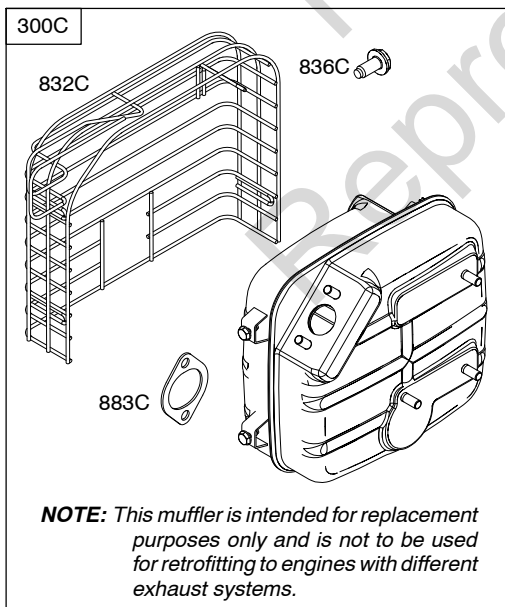
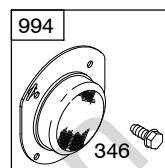
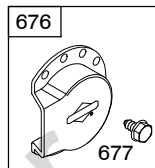
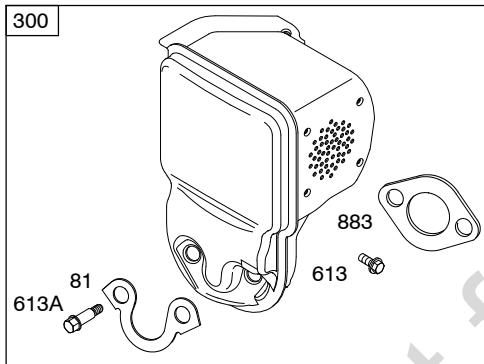
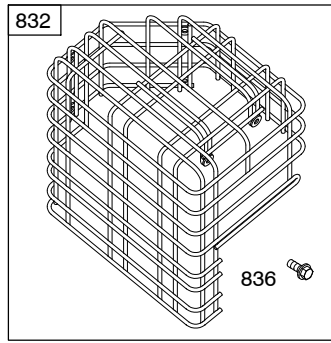
Illustrations cover a range of engines. Parts shown without corresponding text may not be used on your specific engine.
6591-4 Assemblies include all parts shown in frames. 10/07/2008



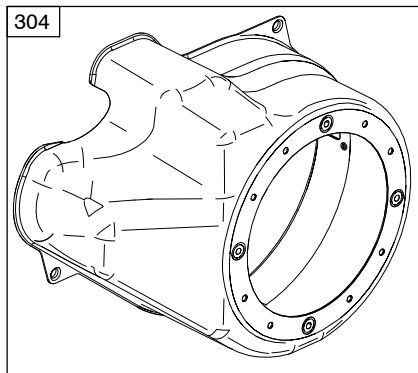
Not for
Reproduction



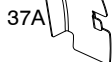
Not for
Reproduction



1036 EMISSIONS LABEL

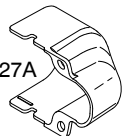


78A



78

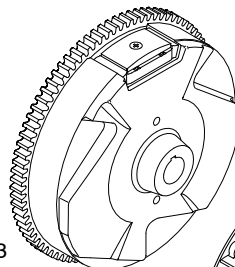
727A



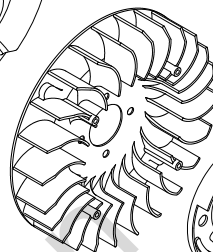
732



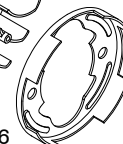
23



1005



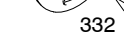
1006



934



455



332



1070



363



608

597



456



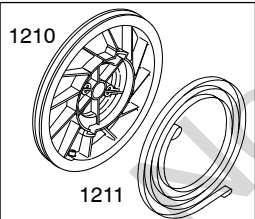
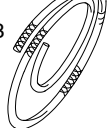
689



459



58



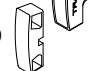
1210

1211

60



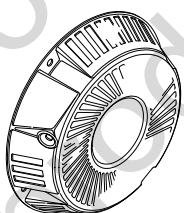
59



592



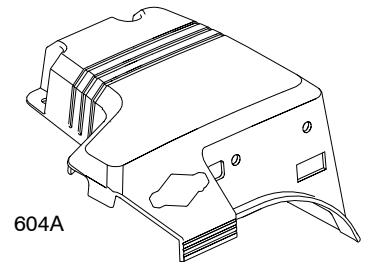
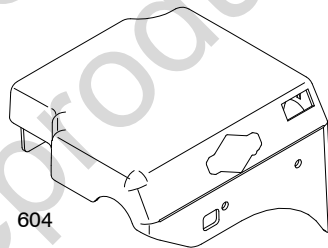
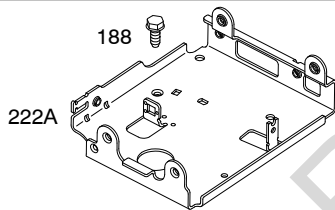
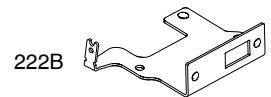
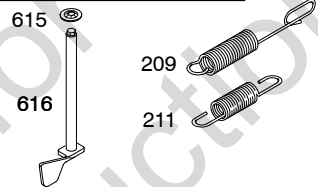
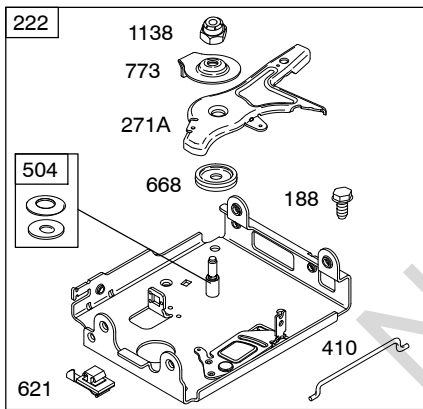
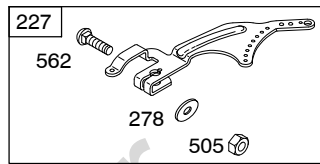
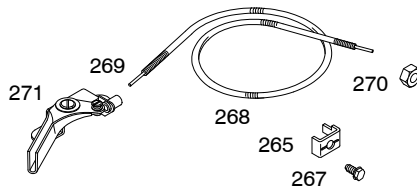
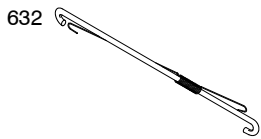
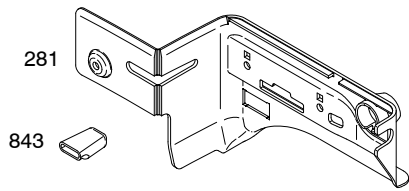
55



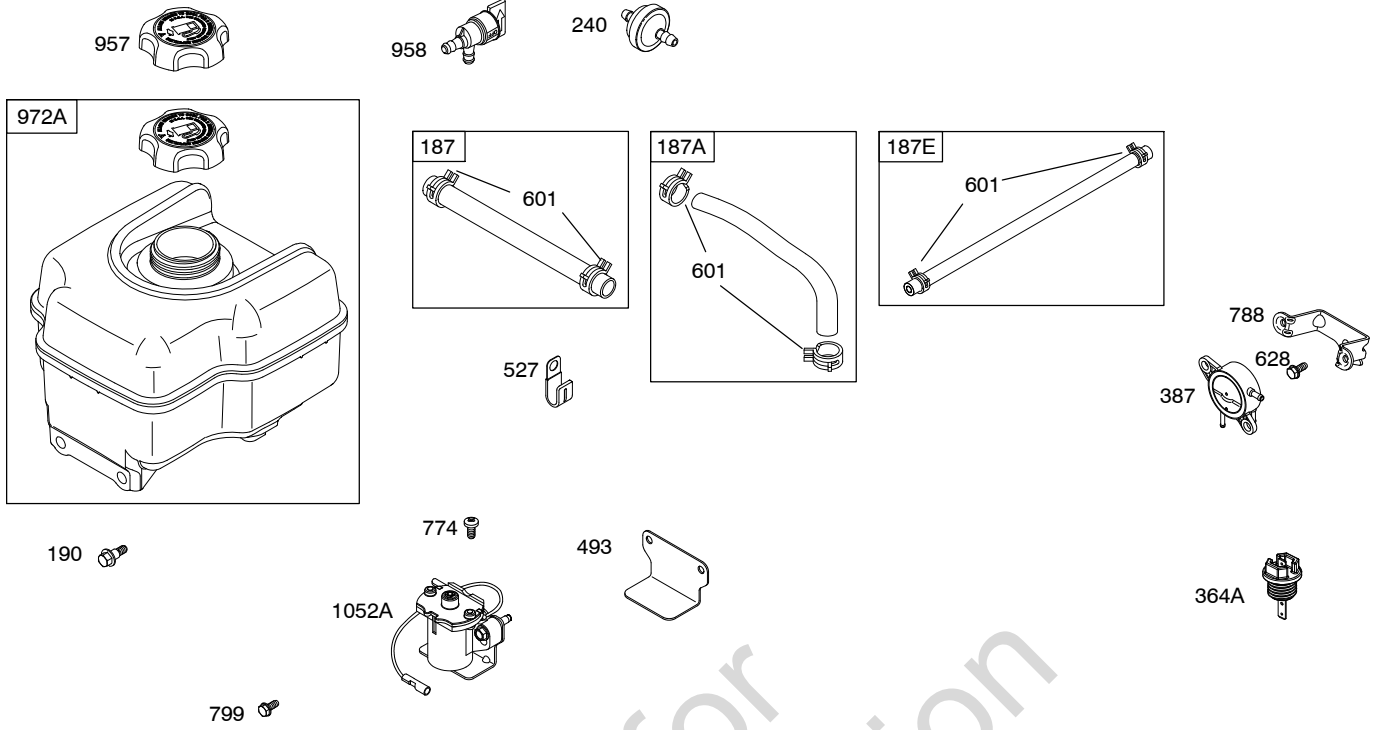
65



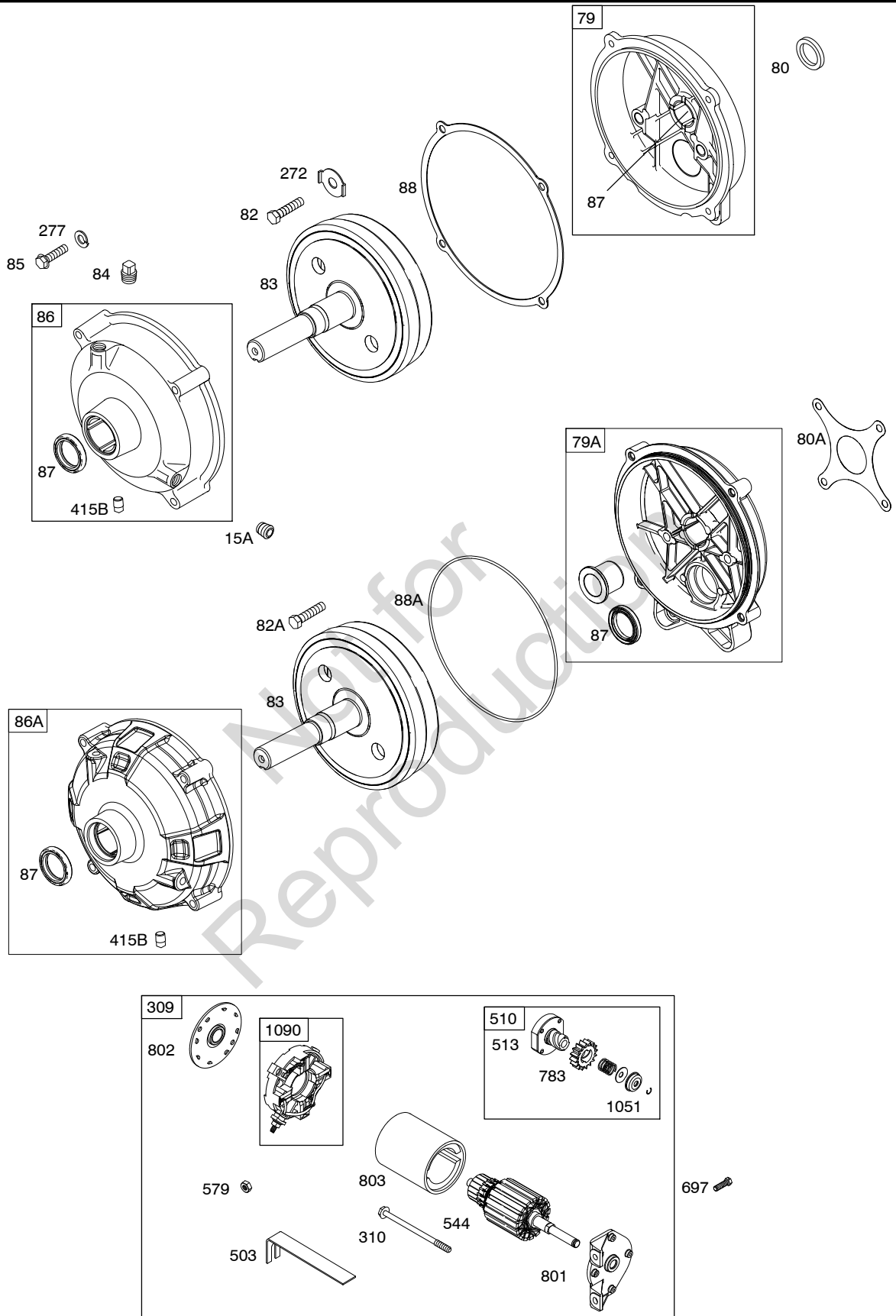
Illustrations cover a range of engines. Parts shown without corresponding text may not be used on your specific engine.









202400

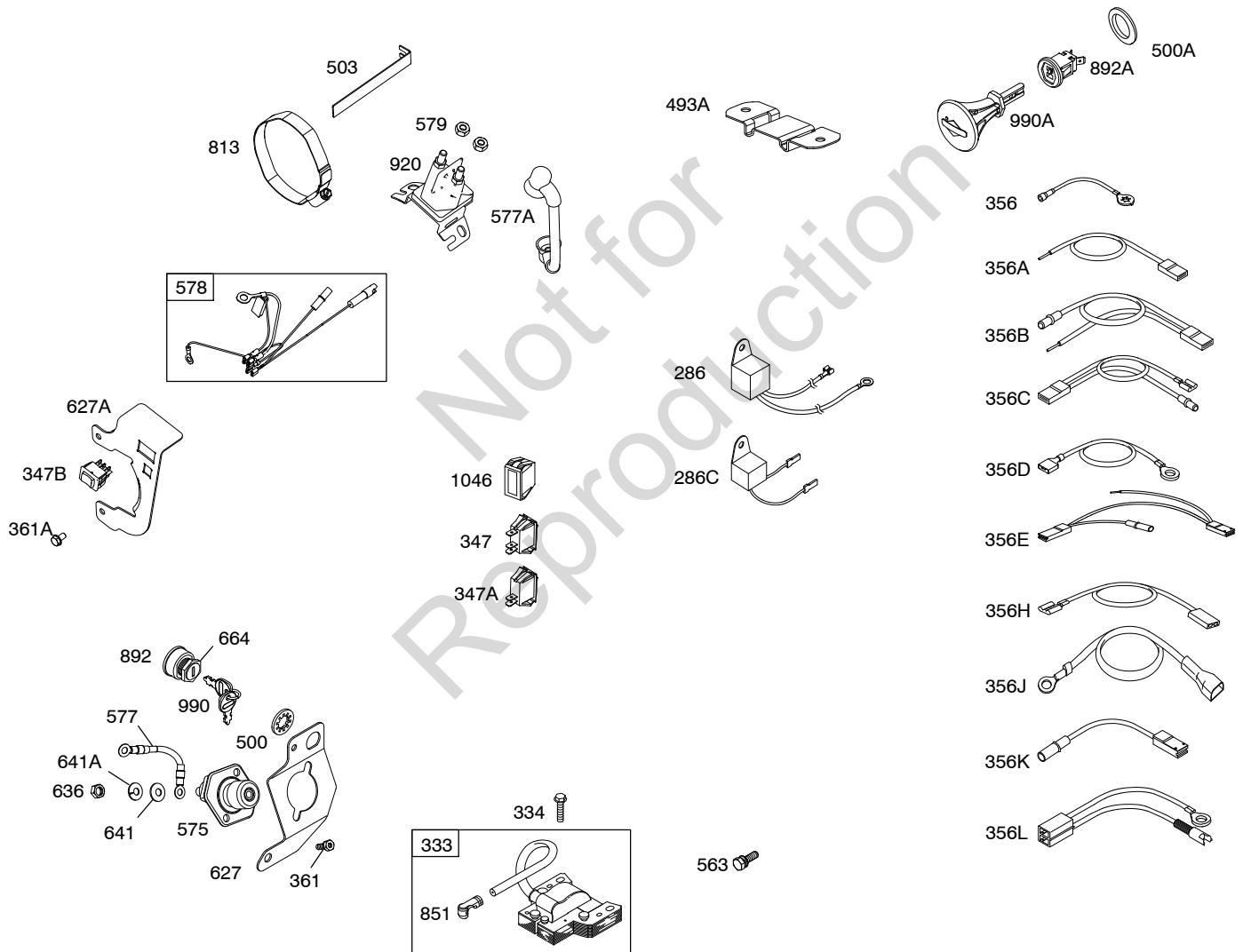


Not for
Reproduction



Illustrations cover a range of engines. Parts shown without corresponding text may not be used on your specific engine.
 6591-11 Assemblies include all parts shown in frames. 10/07/2008

DC ONLY	DUAL CIRCUIT	10 - 16 AMP
474A 	474B 	474D 
<p>NOTE: All stators use a No. 1119 mounting screw. </p> <p>NOTE: The proper flywheel part number and/or the alternator magnet size will determine the alternator type or output. See repair instruction manual for additional information.</p>		<p>526 </p> <p>501 </p>



Illustrations cover a range of engines. Parts shown without corresponding text may not be used on your specific engine.
 6591-12 Assemblies include all parts shown in frames. 10/07/2008

REF. NO.	PART NO.	DESCRIPTION	REF. NO.	PART NO.	DESCRIPTION	REF. NO.	PART NO.	DESCRIPTION
1	793117	Cylinder Assembly	16	794716	Crankshaft	18	791412	Cover-Crankcase
2	698340	Kit-Bushing/Seal (Magneto Side)			Used on Type No(s). 0036, 0041, 0100, 0105, 0111, 0112, 0122, 0124, 0125, 0127, 0135, 0140, 0142, 0145, 0147, 0155, 0159, 0163, 0166, 0178, 0179, 0180, 0182, 0197, 0199, 0200, 0203, 0204, 0205, 0211, 0434.			----- Note ----- 792139 Cover-Crankcase (Used After Code Date 06082000). Used on Type No(s). 0049, 0128, 0193, 0209, 0212.
3	★391086S	Seal-Oil (Magneto Side)						695816 Cover-Crankcase (Used Before Code Date 06082100). Used on Type No(s). 0049, 0128, 0193.
5	793009	Head-Cylinder						791965 Cover-Crankcase Used on Type No(s). 0100, 0112, 0134, 0142, 0145, 0147, 0155, 0157, 0158, 0159, 0166, 0167, 0168, 0175, 0178, 0179, 0199, 0204, 0205, 0434.
7	★Δ694872	Gasket-Cylinder Head						793584 Cover-Crankcase (Used After Code Date 06082000). Used on Type No(s). 0135, 0140, 0180.
11A	695305	Tube-Breather Used on Type No(s). 0114, 0124, 0125, 0135, 0166, 0175, 0181, 0183, 0185, 0207, 0212, 0434.						699327 Cover-Crankcase (Used Before Code Date 06082100). Used on Type No(s). 0135, 0140.
11C	696796	Tube-Breather			----- Note ----- 695817 Crankshaft Used on Type No(s). 0049, 0128, 0193, 0209, 0212.			
12	★694953	Gasket-Crankcase			695818 Crankshaft Used on Type No(s). 0035, 0123, 0152.			
13	690360	Screw (Cylinder Head)			694678 Crankshaft Used on Type No(s). 0118, 0121, 0132, 0149, 0151, 0157, 0158, 0161, 0167, 0168.			
15	691686	Plug-Oil Drain			794720 Crankshaft Used on Type No(s). 0033, 0063, 0194.			
15A	691682	Plug-Oil Drain			794717 Crankshaft Used on Type No(s). 0114, 0116, 0119, 0133, 0134, 0136, 0139, 0148, 0150, 0154, 0156, 0160, 0171, 0175, 0177, 0181, 0183, 0185, 0207, 0210.			
			17	695434	Bearing-Ball			19 698340 Kit-Bushing/Seal (PTO Side)
								20 ★391086S Seal-Oil (PTO Side)

★ Included in Engine Gasket Set-Ref. No. 358.

● Included in Carburetor Overhaul Kit-Ref. No. 121A.

Δ Included in Valve Gasket Set-Ref. No. 1095.

Illustrations cover a range of engines. Parts shown without corresponding text may not be used on your specific engine.

202400

REF. NO.	PART NO.	DESCRIPTION	REF. NO.	PART NO.	DESCRIPTION	REF. NO.	PART NO.	DESCRIPTION
21	281658S	Cap-Oil Fill	42	499586	Keeper-Valve	79A	793590	Case-Gear Reduction (Used After Code Date 07021500).
22	695174	Screw (Crankcase Cover/Sump)	45	690977	Tappet-Valve			Used on Type No(s). 0049, 0128, 0193, 0209, 0212.
23	794814	Flywheel	46	790958	Camshaft	80	691603	Gasket-Gear Case (Used Before Code Date 07021600).
		----- Note -----	51	694874	Gasket-Intake			Used on Type No(s). 0049, 0128, 0193, 0209.
		695485 Flywheel	51A	694875	Gasket-Intake	80A	793588	Gasket-Gear Case (Used After Code Date 07021500).
		Used on Type No(s). 0033, 0041, 0111, 0125, 0127, 0133, 0135, 0139, 0140, 0154, 0161, 0180, 0181, 0183, 0193, 0197, 0203, 0204, 0209, 0211.	53	694869	Stud (Carburetor)			Used on Type No(s). 0049, 0128, 0193, 0209.
24	222698S	Key-Flywheel	53A	695433	Stud (Carburetor)			Used on Type No(s). 0049, 0128, 0193, 0209.
25	792117	Piston Assembly (Standard)	55	695288	Housing-Rewind Starter	81	695400	Lock-Muffler Screw
		----- Note -----	58	693389	Rope-Starter (Cut To Required Length)	82	690287	Screw (Gear Reduction Case) (Used Before Code Date 07021600).
		792144 Piston Assembly (.020" Oversize)	59	805957	Insert-Grip			Used on Type No(s). 0049, 0128, 0193, 0209.
26	792026	Ring Set (Standard)	60	490652	Grip-Starter Rope	82A	792753	Screw (Gear Reduction Case) (Used After Code Date 07021500).
		(Used After Code Date 05081000).	65	690837	Screw (Rewind Starter)			Used on Type No(s). 0049, 0128, 0193, 0209.
		----- Note -----			690759 Screw (Rewind Starter)			Used on Type No(s). 0033, 0041, 0111, 0114, 0121, 0122, 0125, 0127, 0128, 0133, 0135, 0136, 0139, 0140, 0151, 0154, 0157, 0158, 0161, 0167, 0168, 0177, 0180, 0181, 0183, 0185, 0193, 0197, 0203, 0204, 0205, 0207, 0209, 0210, 0211, 0212.
		694004 Ring Set (Used Before Code Date 05081100).			697725 Screw (Rewind Starter)	83	690387	Shaft-Auxiliary Drive
		792073 Ring Set (.020" Oversize) (Used After Code Date 05081000).			Used on Type No(s). 0142, 0147.	84	691121	Plug-Breather
		694008 Ring Set (.020" Oversize) (Used Before Code Date 05081100).	78	690372	Screw	85	691076	Screw (Gear Cover to Gear Reduction Case)
27	690975	Lock-Piston Pin	78A	695724	Screw (Flywheel Guard)	86	690613	Cover-Gear (Used Before Code Date 07021600).
28	696581	Pin-Piston			Used on Type No(s). 0135, 0142.			Used on Type No(s). 0049, 0128, 0193, 0209.
29	694691	Rod-Connecting	79	690614	Case-Gear Reduction (Used Before Code Date 07021600).			Used on Type No(s). 0049, 0128, 0193, 0209.
30	694692	Dipper-Connecting Rod			Used on Type No(s). 0049, 0128, 0193, 0209.	86A	793591	Cover-Gear (Used After Code Date 07021500).
32	690976	Screw (Connecting Rod)						Used on Type No(s). 0049, 0128, 0193, 0209.
33	499596	Valve-Exhaust						
34	792200	Valve-Intake						
35	694865	Spring-Valve (Intake)						
36	694865	Spring-Valve (Exhaust)						
37	790730	Guard-Flywheel						
37A	696701	Guard-Flywheel (Used on Type No(s). 0135, 0142.						

★ Included in Engine Gasket Set-Ref. No. 358.

△ Included in Valve Gasket Set-Ref. No. 1095.

● Included in Carburetor Overhaul Kit-Ref. No. 121A.

Illustrations cover a range of engines. Parts shown without corresponding text may not be used on your specific engine.

REF. NO.	PART NO.	DESCRIPTION	REF. NO.	PART NO.	DESCRIPTION	REF. NO.	PART NO.	DESCRIPTION
87	391086S	Seal-Gear Reduction	125B	699958	Carburetor	188	690877	Screw
88	691601	Gasket-Gear Reduction Cover (Used Before Code Date 07021600). Used on Type No(s). 0049, 0128, 0193, 0209.			Used on Type No(s). 0157, 0158, 0167, 0168, 0210.			(Control Bracket)
88A	793589	Gasket-Gear Reduction Cover (Used After Code Date 07021500). Used on Type No(s). 0049, 0128, 0193, 0209, 0212.	127A	690727	Plug-Welch	190	692127	Screw (Fuel Tank)
95A	690718	Screw (Throttle Valve)	130A	696139	Valve-Throttle	192	690083	Adjuster-Rocker Arm
97A	696140	Shaft-Throttle	133A	694914	Float-Carburetor	209	694867	Spring-Governor
		----- Note -----	135	696142	Tube-Fuel Transfer			----- Note -----
		696387 Shaft-Throttle Used on Type No(s). 0135, 0140, 0180.	137A	695426	Gasket-Float Bowl			695491 Spring-Governor
98A	695408	Kit-Idle Speed	141	696145	Kit-Choke Shaft			Used on Type No(s). 0166.
104A	694918	Pin-Float Hinge	141A	698457	Kit-Choke Shaft			696638 Spring-Governor
105A	696136	Valve-Float Needle	141B	696144	Kit-Choke Shaft			Used on Type No(s). 0145.
108A	696143	Valve-Choke	141C	699979	Kit-Choke Shaft			
108B	696209	Valve-Choke	146	690979	Key-Timing			
109C	790148	Shaft-Choke	161	695384	Base-Air Cleaner (Metal)	211	695307	Spring-Governed Idle
109D	790149	Shaft-Choke	161A	694870	Base-Air Cleaner (Metal)	219	693578	Gear-Governor
109E	696735	Shaft-Choke			Used on Type No(s). 0167, 0168.	220	691724	Washer (Governor Gear)
109G	790077	Shaft-Choke	161B	699960	Base-Air Cleaner	222	695380	Bracket-Control
117	696134	Jet-Main (Standard)	163	692277	Gasket-Air Cleaner	222A	694866	Bracket-Control Used on Type No(s). 0121, 0132, 0151, 0157, 0158, 0161, 0166, 0167, 0168.
118	696135	Jet-Main (High Altitude)	170	695296	Stud (Cover-Crankcase)			
121A	696146	Kit-Carburetor Overhaul (Nikki)	176	691917	Seal-O Ring (Air Cleaner Base)	222B	791753	Bracket-Control
122	694876	Spacer-Carburetor			Used on Type No(s). 0114, 0124, 0125, 0135, 0166, 0175, 0181, 0183, 0185, 0207, 0212, 0434.	227	694864	Lever-Governor Control
125A	696132	Carburetor	185	690958	Nut (Air Cleaner Base)	231A	690718	Screw (Choke Valve)
		----- Note -----	186	691764	Connector-Hose Used on Type No(s). 0135, 0140, 0180.	240	394358S	Filter-Fuel
		696133 Carburetor Used on Type No(s). 0114, 0124, 0125, 0166, 0175, 0181, 0183, 0185, 0207, 0212, 0434.	186A	696612	Connector-Hose Used on Type No(s). 0135.	265	691024	Clamp-Casing
		698785 Carburetor Used on Type No(s). 0135, 0180.	187	791766	Line-Fuel (15 Inches Long) (Cut To Required Length)	267	692577	Screw (Casing Clamp)
		698786 Carburetor Used on Type No(s). 0140.	187A	791869	Line-Fuel (Used After Code Date 05063000).	268	691025	Casing-Control Wire (Cut To Required Length)
					----- Note -----	269	691026	Wire-Control (Cut To Required Length)
					695429 Line-Fuel (Used Before Code Date 05070100).	270	691027	Nut (Control Wire Casing)
			187E	791745	Line-Fuel (23 Inches Long) (Cut To Required Length) Used on Type No(s). 0140.	271	691028	Lever-Control
						271A	695381	Lever-Control
						272	691168	Lock-Screw Head
						277	691075	Washer (Gear Case To Gear Reduction)
						278	792008	Washer (Governor Control Lever)

★ Included in Engine Gasket Set-Ref. No. 358.

● Included in Carburetor Overhaul Kit-Ref. No. 121A.

△ Included in Valve Gasket Set-Ref. No. 1095.

Illustrations cover a range of engines. Parts shown without corresponding text may not be used on your specific engine.

202400

REF. NO.	PART NO.	DESCRIPTION	REF. NO.	PART NO.	DESCRIPTION	REF. NO.	PART NO.	DESCRIPTION
281	697268	Panel-Control (Used After Code Date 01102800). ----- Note ----- 695294 Panel-Control (Used Before Code Date 01102900).	306	697240	Shield-Cylinder (Used After Code Date 01102800). ----- Note ----- 694677 Shield-Cylinder (Used Before Code Date 01102900).	355	691075	Washer (Muffler Bracket)
286	695186	Module-Oil Sensor (Rewind Starter) (Used Before Code Date 03010600). Used on Type No(s). 0118, 0119, 0121, 0122, 0123, 0128, 0132, 0136, 0142, 0167, 0171.	307	691660	Screw (Cylinder Shield)	356	692603	Wire-Stop
286C	699951	Module-Oil Sensor Used on Type No(s). 0133, 0147, 0149, 0150, 0151, 0152, 0154, 0156, 0157, 0158, 0161, 0168, 0181, 0183, 0185, 0207, 0212. ----- Note ----- 699951 Module-Oil Sensor (Used After Code Date 03010500). Used on Type No(s). 0118, 0119, 0121, 0122, 0123, 0128, 0132, 0136, 0142, 0167, 0171.	309	695479	Motor-Starter	356A	692390	Wire-Stop
			310	690323	Screw (Starter Motor)	356B	699340	Wire-Stop
			332	694685	Nut (Flywheel)	356C	695295	Wire-Stop ----- Note ----- 699077 Wire-Stop Used on Type No(s). 0140.
			333	492341	Armature-Magneto	356D	695366	Wire-Stop (Used Before Code Date 03072400). Used on Type No(s). 0118, 0119, 0121, 0122, 0123, 0128, 0132, 0136, 0142, 0147, 0157, 0167, 0168, 0171.
			334	691061	Screw (Magneto Armature)			----- Note ----- 695366 Wire-Stop (Used Before Code Date 03082800). Used on Type No(s). 0133.
			337	491055S	Plug-Spark ----- Note ----- 691043 Plug-Spark Used on Type No(s). 0105, 0118, 0119, 0121, 0122, 0123, 0124, 0125, 0132, 0133, 0135, 0136, 0149, 0150, 0151, 0152, 0154, 0157, 0158, 0161, 0167, 0168, 0171, 0434.	356E	696328	Wire-Stop Used on Type No(s). 0041.
					792015 Plug-Spark Used on Type No(s). 0159, 0178, 0210.	356H	696482	Wire-Stop ----- Note ----- 699077 Wire-Stop Used on Type No(s). 0140.
			346	690367	Screw (Spark Arrestor) ----- Note ----- 690661 Screw (Spark Arrestor) Used on Type No(s). 0114, 0116, 0142.	356J	699994	Wire-Stop (Used After Code Date 03072300). Used on Type No(s). 0118, 0119, 0121, 0122, 0123, 0128, 0132, 0133, 0136, 0142, 0147, 0149, 0150, 0151, 0152, 0154, 0156, 0157, 0158, 0161, 0167, 0168, 0171.
287	691693	Screw (Dipstick Tube)	347	698338	Switch-Rocker			----- Note ----- 699994 Wire-Stop (Used After Code Date 03082700). Used on Type No(s). 0133.
300	697252	Muffler	347A	697854	Switch-Rocker Used on Type No(s). 0118, 0119, 0121, 0122, 0123, 0128, 0132, 0136, 0142, 0147, 0149, 0150, 0151, 0152, 0157, 0158, 0161, 0167, 0168, 0171, 0185, 0207, 0212.	356K	697397	Wire-Stop
300C	793701	Muffler (This muffler is intended for replacement purposes only and is not to be used for retrofitting to engines with different exhaust systems)	347B	790949	Switch-Rocker	356L	792609	Wire-Stop
304	791478	Housing-Blower						
305	691108	Screw (Blower Housing)						

★ Included in Engine Gasket Set-Ref. No. 358.

● Included in Carburetor Overhaul Kit-Ref. No. 121A.

△ Included in Valve Gasket Set-Ref. No. 1095.

Illustrations cover a range of engines. Parts shown without corresponding text may not be used on your specific engine.

6591-16

Assemblies include all parts shown in frames.

10/07/2008

REF. NO.	PART NO.	DESCRIPTION	REF. NO.	PART NO.	DESCRIPTION	REF. NO.	PART NO.	DESCRIPTION
358	695438	Gasket Set-Engine	474A	695730	Alternator (3 Amps DC) Used on Type No(s). 0033, 0125, 0139, 0204.	562	793216	Bolt (Governor Control Lever)
361	691681	Screw (Starting Switch) Used on Type No(s). 0041, 0127, 0140.	474B	696742	Alternator (Dual Circuit) Used on Type No(s). 0135.	563	695449	Screw (Debris Screen Guard) Used on Type No(s). 0142, 0147.
361A	691693	Screw (Starting Switch)	474D	695466	Alternator (10 Amp Regulator)	564	692577	Screw (Control Cover)
363	19203	Puller-Flywheel	493	694861	Bracket-Mounting (Oil Sensor)	564A	692198	Screw (Control Cover)
364A	699947	Terminal-Oil Plug			----- Note -----	575	692303	Switch-Starting Used on Type No(s). 0041, 0127, 0140.
369	695422	Spring-Float Bowl			699075 Bracket- Mounting (Oil Sensor) Used on Type No(s). 0142, 0147.	577	690630	Cable-Starter Used on Type No(s). 0041, 0127, 0140.
383	19374S	Wrench-Spark Plug	493A	691177	Bracket-Mounting (Regulator)	577A	690795	Cable-Starter
387	808656	Pump-Fuel Used on Type No(s). 0135, 0140, 0180.	500	691086	Washer (Key Switch) Used on Type No(s). 0041, 0127, 0140.	578	790948	Wire Assembly ----- Note ----- 692306 Wire Assembly Used on Type No(s). 0204.
410	695382	Link-Control	500A	792613	Washer (Key Switch)	579	691029	Nut (Starter Cable)
412	690958	Nut (Air Cleaner Cover)	501	691185	Regulator	592	690800	Nut (Rewind Starter)
415	691363	Plug	503	691532	Strap-Starter	597	691696	Screw (Pawl Friction Plate)
415B	690283	Plug	504	695383	Washer Set-Friction	601	791850	Clamp-Hose
425	694515	Screw (Air Cleaner Cover) Used on Type No(s). 0157, 0158, 0168.	505	691251	Nut (Governor Control Lever)	604	699066	Cover-Control Used on Type No(s). 0140, 0180. ----- Note ----- 697326 Cover-Control Used on Type No(s). 0158, 0168.
425A	790043	Screw (Air Cleaner Cover)	510	693699	Drive-Starter	604A	791752	Cover-Control
436C	792374	Manifold-Exhaust	513	692024	Clutch-Drive	608	695287	Starter-Rewind
437	696705	Screw (Exhaust Manifold)	523	695344	Dipstick	613	695312	Screw (Muffler)
445	491588S	Filter-Air Cleaner Cartridge	524	691876	Seal-Dipstick Tube	613A	695399	Screw (Muffler)
445A	695302	Filter-Air Cleaner Cartridge Used on Type No(s). 0114, 0124, 0125, 0135, 0166, 0175, 0181, 0183, 0185, 0207, 0212, 0434.	525	695343	Tube-Dipstick	615	694676	Retainer-Governor Shaft
455	694683	Cup-Flywheel	526	690297	Screw (Regulator)	616	694675	Crank-Governor
456	692299	Plate-Pawl Friction	527	698467	Clamp-Tube Used on Type No(s). 0140, 0180.			
459	281505S	Pawl-Ratchet	529	791822	Grommet			
467	691668	Knob-Air Cleaner Used on Type No(s). 0114, 0124, 0125, 0135, 0166, 0175, 0181, 0183, 0185, 0207, 0212, 0434.	544	692034	Armature-Starter			
			552	694674	Bushing-Governor Crank			

★ Included in Engine Gasket Set-Ref. No. 358.

● Included in Carburetor Overhaul Kit-Ref. No. 121A.

△ Included in Valve Gasket Set-Ref. No. 1095.

Illustrations cover a range of engines. Parts shown without corresponding text may not be used on your specific engine.

6591-17

Assemblies include all parts shown in frames.

10/07/2008

202400

REF. NO.	PART NO.	DESCRIPTION	REF. NO.	PART NO.	DESCRIPTION	REF. NO.	PART NO.	DESCRIPTION
621	692310	Switch-Stop	689	691855	Spring-Friction	832	795035	Guard-Muffler
627	696064	Bracket-Stopswitch Used on Type No(s). 0041, 0127, 0140.	695	698807	Screw (Ring Gear)	832C	792380	Guard-Muffler
627A	792608	Bracket-Stopswitch	697	690372	Screw (Drive Cap)	836	695312	Screw (Muffler Guard) (Used After Code Date 01061000).
628	690297	Screw (Fuel Pump Bracket)	718	690959	Pin-Locating	----- Note -----		
632	696059	Link-Throttle	718A	695178	Pin-Locating (Head)	690367		Screw (Muffler Guard) (Used Before Code Date 01061100).
633B	690998	Seal-Choke/Throttle Shaft	727A	697465	Cover-Starter Drive	836C	710023	Screw (Muffler Guard)
635	691909	Boot-Spark Plug	732	691097	Screw (Starter Drive Cover)	842	691031	Seal-O Ring (Dipstick Tube)
636	696198	Nut (Starting Switch) Used on Type No(s). 0041, 0127, 0140.	740	710090	Nut (Muffler Bracket)	843	695588	Sleeve-Lever
641	691075	Washer (Starting Switch) Used on Type No(s). 0041, 0049, 0127, 0128, 0140, 0193, 0209, 0212.	740A	793859	Nut (Muffler Bracket)	847	695342	Dipstick/Tube Assembly
641A	690282	Washer (Starting Switch) Used on Type No(s). 0041, 0127, 0140.	741	691288	Gear-Timing	851	692424	Terminal-Spark Plug
663A	690372	Screw (Control Panel) (5/8" Long)	742	692564	Retainer-E Ring	863C	793700	Bracket-Muffler
663B	692577	Screw (Control Panel) (3/4" Long)	746	694679	Gear-Idler	868	690968	Seal-Valve
664	691087	Nut (Key Switch) Used on Type No(s). 0041, 0127, 0140.	773	694258	Retainer	875	695304	Base-Air Cleaner (Plastic) Used on Type No(s). 0114, 0124, 0125, 0135, 0166, 0175, 0181, 0183, 0185, 0207, 0212, 0434.
668	694257	Spacer (Control Bracket)	774	695447	Screw (Stop Wire)	883	695398	Gasket-Exhaust
676	393761	Deflector-Muffler Used on Type No(s). 0114, 0116, 0121, 0122, 0132, 0142, 0147, 0151, 0161, 0177, 0204, 0205, 0207, 0434.	783	693713	Gear-Pinion	883A	697255	Gasket-Exhaust
677	690367	Screw (Deflector-Mounting)	788	699078	Bracket-Fuel Pump Used on Type No(s). 0135, 0140, 0180.	883C	710250	Gasket-Exhaust
			798	697890	Screw (Rocker Arm)	892	392833	Switch-Key Used on Type No(s). 0041, 0127, 0140.
			799	695446	Screw (Oil Sensor) (M4) ----- Note -----	892A	791944	Switch-Key
			801	694482	Cap-Drive	914	693732	Screw (Rocker Cover)
			802	691286	Cap-End	918	393815	Hose-Vacuum
			803		Housing-Starter (Not Serviced Separately, Order Starter Motor 695479)	920	691656	Solenoid-Starter
			813	690635	Clamp	934	710550	Screw (Fan Retainer)
			819	690352	Screw (Muffler Bracket)	951	699961	Lever-Choke Used on Type No(s). 0157, 0158, 0167, 0168, 0210.

★ Included in Engine Gasket Set-Ref. No. 358.

● Included in Carburetor Overhaul Kit-Ref. No. 121A.

△ Included in Valve Gasket Set-Ref. No. 1095.

Illustrations cover a range of engines. Parts shown without corresponding text may not be used on your specific engine.
6591-18 Assemblies include all parts shown in frames. 10/07/2008

REF. NO.	PART NO.	DESCRIPTION	REF. NO.	PART NO.	DESCRIPTION	REF. NO.	PART NO.	DESCRIPTION
957	792647	Cap-Fuel Tank (Plastic)	975A	696138	Bowl-Float	1070	691058	Screw (Flywheel Fan)
958	698180	Valve-Fuel Shut Off (Plastic)	990	691959	Key Set Used on Type No(s). 0041, 0127, 0140.	1090	691293	Retainer-Brush
967	491435S	Filter-Pre Cleaner	990A	695756	Key Set	1095	695440	Gasket Set-Valve
967A	695303	Filter-Pre Cleaner Used on Type No(s). 0114, 0124, 0125, 0135, 0166, 0175, 0181, 0183, 0185, 0207, 0212, 0434.	994	392390	Arrestor-Spark Used on Type No(s). 0114, 0124, 0125, 0132, 0142, 0147.	1100	791959	Pivot-Rocker Arm
968	790959	Cover-Air Cleaner	1005	694684	Fan-Flywheel	1119	691183	Screw (Alternator)
968A	692321	Cover-Air Cleaner Used on Type No(s). 0167, 0168, 0210.	1006	690452	Retainer-Fan	1127A	695407	Screw (Float Bowl)
968B	695301	Cover-Air Cleaner Used on Type No(s). 0114, 0124, 0125, 0135, 0166, 0175, 0181, 0183, 0185, 0207, 0434.	1022	★△690971	Gasket-Rocker Cover	1138	694255	Nut (Control Bracket)
968C	791930	Cover-Air Cleaner	1023	697691	Cover-Rocker	1177	710090	Nut (Muffler)
971	695181	Screw (Air Cleaner Base to Carburetor) Used on Type No(s). 0114, 0124, 0125, 0135, 0166, 0175, 0181, 0183, 0185, 0207, 0434.	1026	695177	Rod-Push	1194	691876	Seal-O Ring (Plug)
972A	694260	Tank-Fuel (Plastic) ----- Note ----- 697779 Tank-Fuel (Plastic) Used on Type No(s). 0135.	1029	690972	Arm-Rocker	1210	498144	Pulley/Spring Assembly (Pulley)
			1036		Label-Emissions (Available From A Briggs & Stratton Authorized Dealer)	1211	498144	Pulley/Spring Assembly (Spring)
			1046	691337	Plug-Blower Housing Used on Type No(s). 0140, 0180.	1230	791754	Stud (Control Bracket)
			1051	691265	Ring-Retaining	1319	794467	Label-Warning
			1052A	791159	Sensor-Oil	1404	696757	Nut (Control Cover)
			1058	277040	Manual-Operator's ----- Note ----- MS3780 Manual- Operator's Used on Type No(s). 0033, 0063, 0105, 0118, 0119, 0121, 0122, 0123, 0124, 0125, 0128, 0135, 0136, 0149, 0150, 0151, 0152, 0154, 0157, 0158, 0159, 0161, 0167, 0171, 0178, 0194, 0210. MS3790 Manual- Operator's Used on Type No(s). 0157, 0158.			

★ Included in Engine Gasket Set-Ref. No. 358.

● Included in Carburetor Overhaul Kit-Ref. No. 121A.

△ Included in Valve Gasket Set-Ref. No. 1095.

Illustrations cover a range of engines. Parts shown without corresponding text may not be used on your specific engine.

Not for
Reproduction

